

PRODUCT: BEL Kensington 110DF-AU Crm  
 COLOUR: Crm  
 CODE: 444449053  
 ISSUE: 1  
 DATE: 09/07/2008



Key	Product	Product Description	TCO	Replace	Date	Qty
026	082060800	BEARING door KB				2
026	082060800	BEARING door KB				2
032	082566100	BEZEL switch Blk				1
0358	602925402	FRONTFRAME				1
037	082851704	BEZEL grill Sta				1
037	082851703	BEZEL mf switch Sta				1
037	082851702	BEZEL tstat elec fanned Sta				1
037	082851701	BEZEL tstat elec mf Sta				1
037	082851706	BEZEL slow cook Sta				1
037	082851700	BEZEL h/p Sta				7
057	502895700	BRACKET plinth				1
057	502895700	BRACKET plinth				1
0813	502925501	STIFFENING STRUT				2
0813	502925501	STIFFENING STRUT				1
083	082519304	BURNERBOWL aux (injector 0.82)				2
084	082519406	BURNERBOWL s/rapid (inj 1.18)				3
085	082519506	BURNERBOWL rapid (inj 1.42)				1
086	082546708	BURNERBOWL wok (inj 0.72/1.38)				1
090	082519700	BURNERCAP aux nf gls Defendi				2
091	082519703	BURNERCAP semi nf gls Defendi				3
092	082519706	BURNERCAP rapid nf gls Defendi				1
094	082546900	BURNERCAP wok inner-gloss				1
094	082547000	BURNERCAP wok outer-gloss				1
102	082519600	BURNERSKIRT aux nf Defendi				2
103	082519602	BURNERSKIRT semi nf Defendi				3
104	082519604	BURNERSKIRT rapid nf Defendi				1
105	082546800	BURNERSKIRT wok				1
113	081718425	BUTTON timer Blk				3
114	082566200	BUTTON switch Nic				1
147	082533800	CATCH roller (nylon)				1
147	082533800	CATCH roller (nylon)				1
178	082520000	CLIP spring Defendi				7
182	082101600	CLIP tubular				4
182	082101600	CLIP tubular				4
182	082101600	CLIP tubular				4
206	531805900	COVER assy flue duct				1
207	562802005	COVER plinth inner 1100 Blk				1
207	562895813	COVER outer plinth Bel1100 Blk				1
211	082291500	COVER flue vent				1
247	012561014	DOOR assembly lh				1
247	012561015	DOOR assembly rh				1
248	562859010	DOOR oven outer lh Cha				1
248	562859011	DOOR oven outer rh Cha				1
252	562858905	DOOR panel top ov/sl cook Cha				1
252	562858905	DOOR panel top ov/sl cook Cha				1
253	601823319	DOOR grill /top oven inner				1
253	601823319	DOOR grill /top oven inner				1
279	082547100	ELECTRODE wok 900mm long lead				1
281	082532602	ELECTRODE 1300mm DEL703				6
286	082230600	ELEMENT base KB				1
286	082354202	ELEMENT base slow cook 160w				1
287	081561400	ELEMENT grill dual KB				1
294	081561600	ELEMENT oven fan (2.5kw) KB				1

PRODUCT: BEL Kensington 110DF-AU Crm  
 COLOUR: Crm  
 CODE: 444449053  
 ISSUE: 1  
 DATE: 09/07/2008



Key	Product	Product Description	TCO	Replace	Date	Qty
294	081561600	ELEMENT oven fan (2.5kw) KB				1
295	082010701	ELEMENT oven top KB				1
314	082233400	FAN cooling DP203A-2123LST-C31				1
314	082233400	FAN cooling DP203A-2123LST-C31				1
315	081581800	FAN oven circulation				1
315	081581800	FAN oven circulation				1
319	012848622	FACIA assy 1100df Blk/Whi				1
349	081830501	FOOT levelling long				2
349	081830501	FOOT levelling long				2
388	082825101	GENERATOR ignition DG441				1
401	082059300	GOVERNOR 150DJ231/2"+PTP				1
402	082554901	GRIDDLE ribbed universal				1
411	082517700	GRILL PAN (vit enamel) Blk				1
411	082517700	GRILL PAN (vit enamel) Blk				1
412	082469100	GRIP handle grill pan				1
420	082917304	GUIDE shelf large lh 1978				1
420	082917300	GUIDE shelf small lh 1974				1
420	082917304	GUIDE shelf large lh 1978				1
421	082917305	GUIDE shelf large rh 1979				1
421	082917305	GUIDE shelf large rh 1979				1
421	082917301	GUIDE shelf small rh 1975				1
424	082734302	HANDBOOK BEL KENS 110DF AU				1
427	082283705	HANDLE grill pan 1041				1
428	082851800	HANDLE assy door Chr				1
428	082851800	HANDLE assy door Chr				1
428	082851800	HANDLE assy door Chr				1
428	082851800	HANDLE assy door Chr				1
455	082905900	HINGE drop down door (Zan)				2
455	082905900	HINGE drop down door (Zan)				2
458	082856400	HINGE bottom				1
458	082856400	HINGE bottom				1
459	082856401	HINGE top				1
459	082856401	HINGE top				1
472	502582507	HOTPLATE 1100 stainless				1
5044	082606772	BELLING BADGE BBELLING013				1
522	012860202	KIT lp range conversion AUS				1
525	082830202	KNOB belling range Blk				12
544	926016900	LAMP assy oven				1
544	926016900	LAMP assy oven				1
557	082044000	LOCKNUT foot				2
557	082044000	LOCKNUT foot				2
574	082930600	NEON SL332250010T				3
614	082843600	PAN SUPPORT Bel 2 burner std.				3
615	082843601	PAN SUPPORT Bel wok				1
697	562044129	PLINTH front Blk				1
697	562044129	PLINTH front Blk				1
705	082590900	REGULATOR energy MPA-V02SV				1
728	080180676	SCREW m6x30 pp mc				2
728	080180676	SCREW m6x30 pp mc				2
728	080180676	SCREW m6x30 pp mc				2
728	080180676	SCREW m6x30 pp mc				2
728	080215764	WASHER fibre 11/64" dia				2
728	080215764	WASHER fibre 11/64" dia				2
728	080180676	SCREW m6x30 pp mc				2
733	081797201	SEAL grill KB				1
733	081797201	SEAL grill KB				1.3
734	081797200	SEAL main ov 550HL KB				1.5
734	081797200	SEAL main ov 550HL KB				0.3
734	081797200	SEAL main ov 550HL KB				1.5
736	081423974	SEAL tap 4mm COPRECI F3862-04				7
749	082917403	SHELF main oven 452 wide 1970				2

PRODUCT: BEL Kensington 110DF-AU Crm  
 COLOUR: Crm  
 CODE: 444449053  
 ISSUE: 1  
 DATE: 09/07/2008

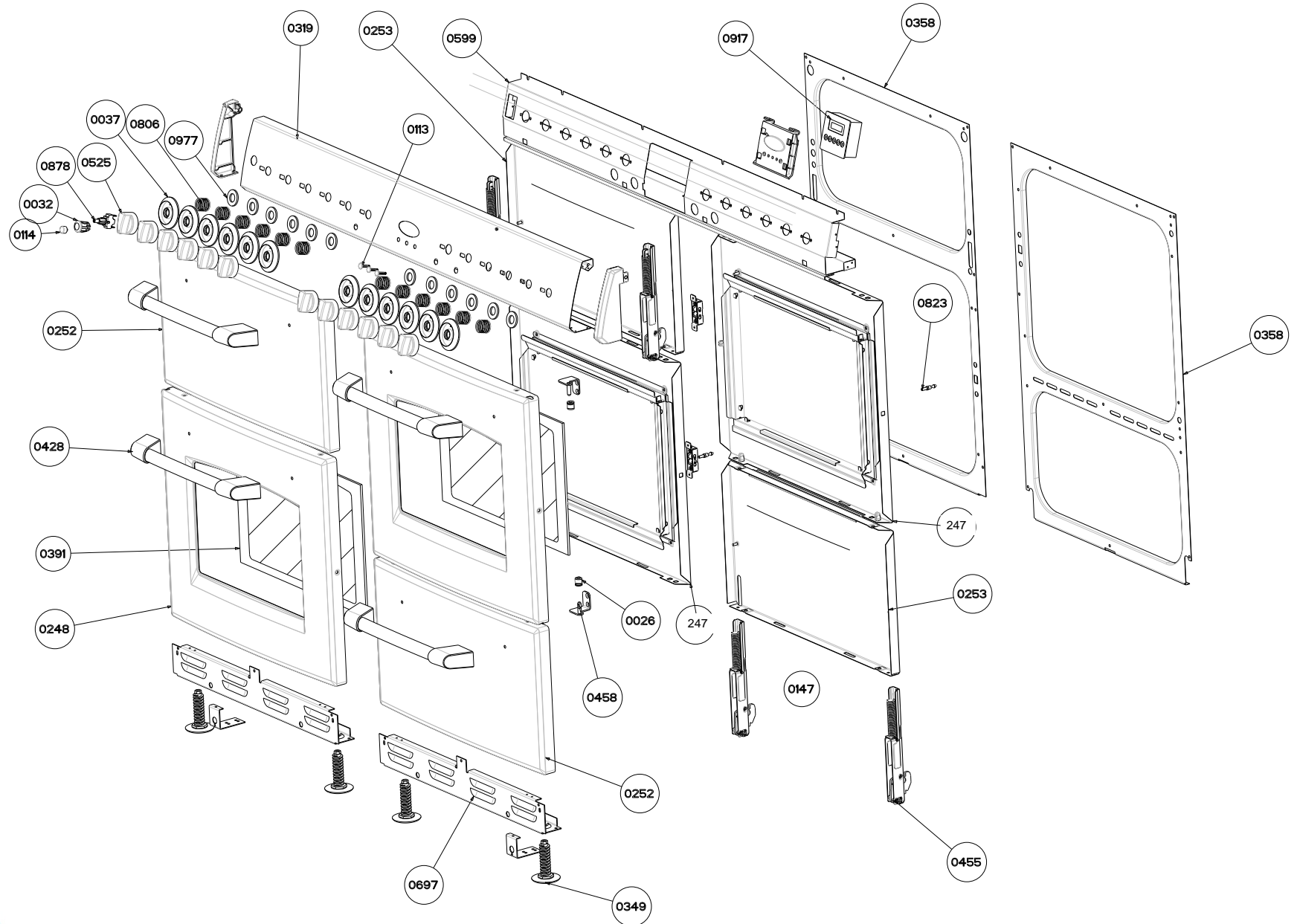


Key	Product	Product Description	TCO	Replace	Date	Qty
749	082917403	SHELF main oven 452 wide 1970				1
749	082917403	SHELF main oven 452 wide 1970				2
791	082554300	SPACER oven fan				2
791	082554300	SPACER oven fan				3
791	082554300	SPACER oven fan				3
806	081511001	SPRING COMPRESSION CONTROL BZ				12
823	082494402	STRIKER door (silver)				1
823	082494402	STRIKER door (silver)				1
835	082963200	Counter support				2
835	082963200	Counter support				2
876	082859800	SWITCH s/cook war 42.08000.008				1
876	082558101	SWITCH rotary oven42.02400.008				2
876	082578200	SWITCH door ROLD				1
877	082859700	SWITCH sel 7 func 42.08000.041				1
878	081811101	SWITCH ignition E2009				1
880	081545403	SWITCH thermal cut-out 150c				2
880	082808901	SWITCH thermal L100c				1
882	082808902	SWITCH thermal fan				1
887	082856508	TAP h/p wok NG blk/grn(Aust)				1
888	082856506	TAP h/p s/rap NG blk/whi(Aust)				3
889	082856505	TAP h/p aux NG b/k/red(Aust)				2
890	082856507	TAP h/p rapid NG blk/blu(Aust)				1
912	082558001	THERMOSTAT EGO 55.17069.090				2
917	082874000	TIMER (programmer 900)				1
922	562586711	TRIM hotplate side 1100 Blk				2
945	562851911	VENT TRIM 1100 Blk				1
950	562867306	FACIA lip 110 Blk				1
967	082518800	WIRE TRIVET grill pan 1130				1
991	030116310	WHEEL ASSY				1
991	030116310	WHEEL ASSY				1



110DF ISSUE 1 DATE 07-07-08

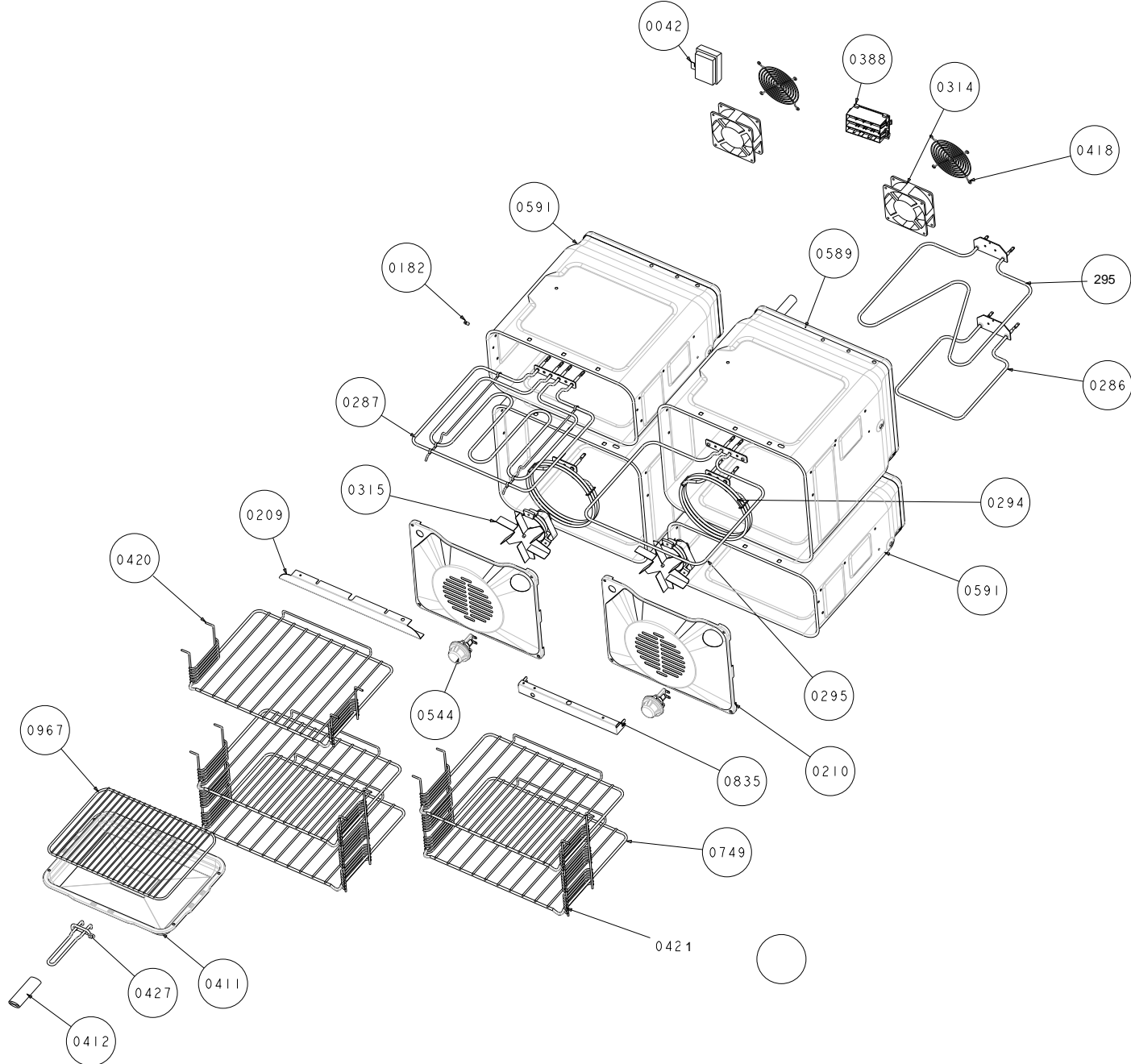
# DOORS, FASCIA, AND FRONT FRAME ASSEMBLY





110DF ISSUE 1 DATE-07-07-08

# CAVITY ASSEMBLY





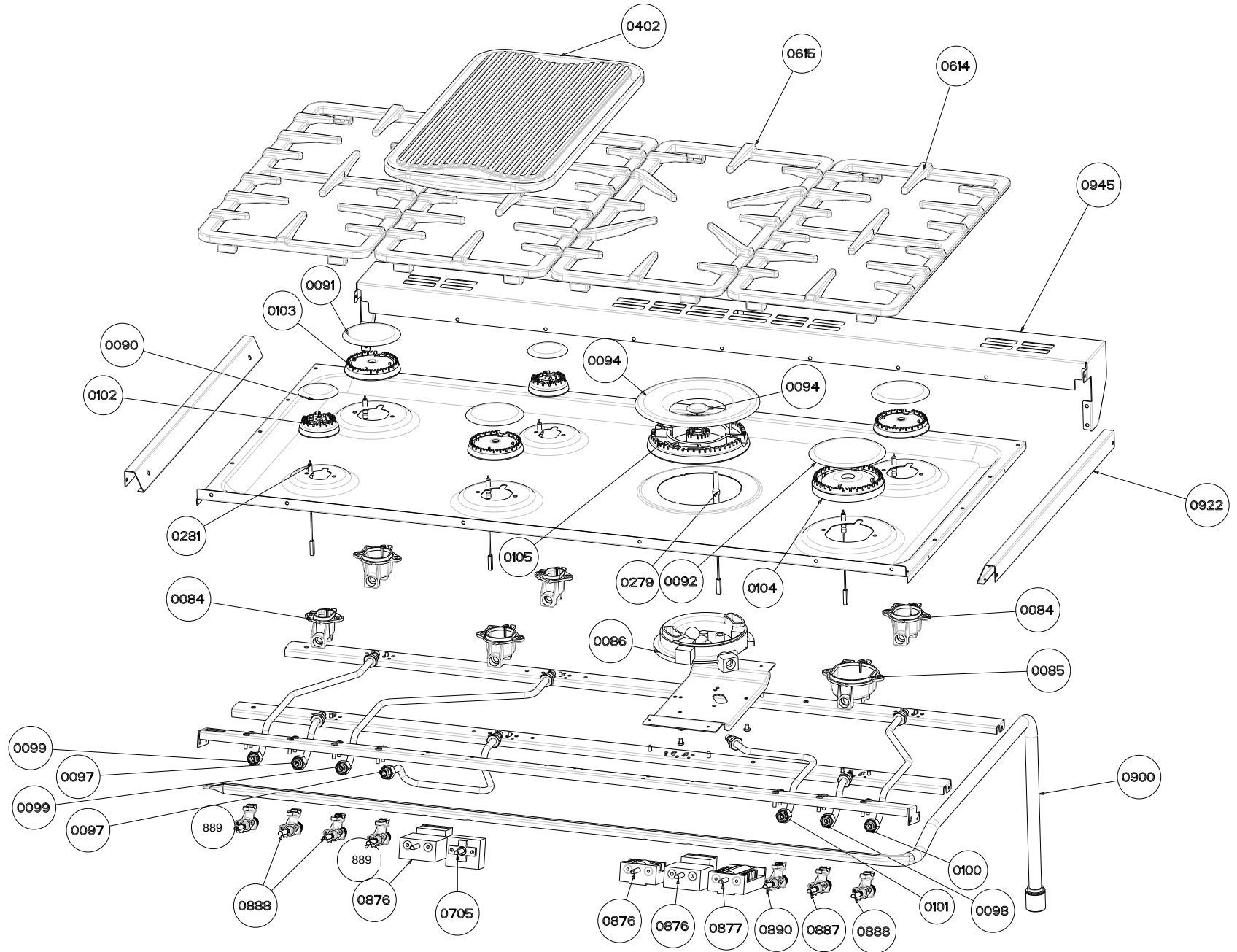
# BELLING 110DF

# ISSUE DATE 07-07-08

## DUAL FUEL

## RANGE

## HOTPLATE ASSEMBLY



© This diagram is the property of GLEN DIMPLEX HOME APPLIANCES Not to be reproduced or transmitted in any shape or form without permission of GLEN DIMPLEX HOME APPLIANCES.